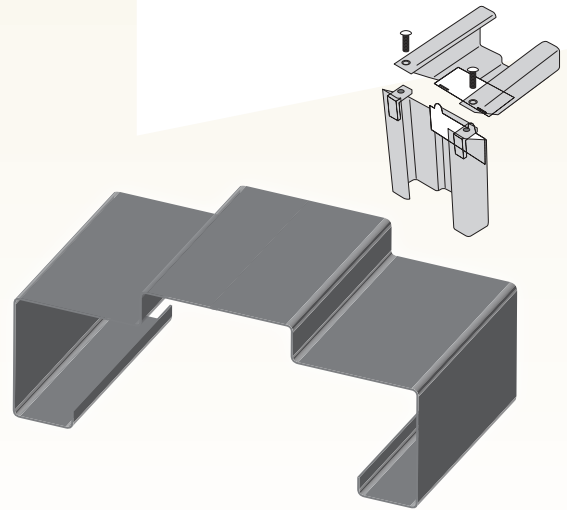


TenBend

knockdown doorframes
to suit stud construction

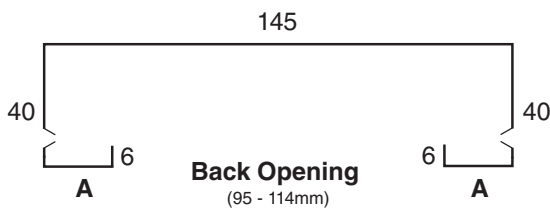
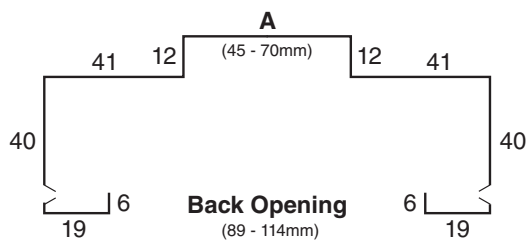


The TenBend Knockdown doorframe profile, has clean square lines to suit contemporary home designs offering a sleek and modern look. The patented knockdown design system allows the mitre corners to be adjusted, resulting in an accurate and neat mitre joint.



Technical Specifications

The Ten Bend Knockdown doorframe is made from a 1.0mm Zincanneal. The frames come in 3 pieces consisting of a head, a hinge stile and a striker stile. These are then packed together to make a complete frame. The knockdown frame is available in all standard sizes and can also be made to suit special widths and heights.



Standard Frame Dimensions

Back Opening	A	Overall Dimension
89	45	127x52
95	51	133x52
102	58	140x52
114	70	152x52

Slider Frame Dimensions

Back Opening	A
95	25
114	15.5

Note: when ordering slider doorframes please order by door size.

Prior to installing the frame ensure stud opening sizes are suitable for knockdown frames.

For stud opening sizes add 40mm to your door HEIGHT and WIDTH (single and double doorframes only)

Example: Door size: 2040 x 820mm Stud opening: 2080 x 860mm

Add a further 40mm to your door width for each mullion when using triple, quad or five door combinations.

Note: A minimum nib on each side of the stud opening is needed to allow for the knockdown frame to be screwed to the stud work

Patented knockdown system

