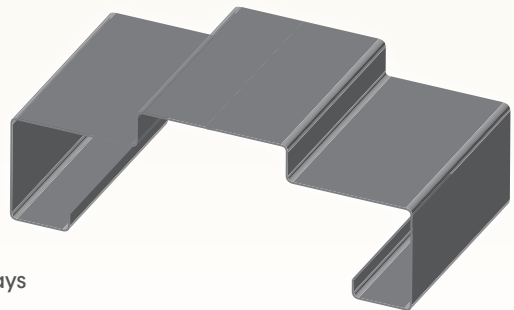


JDS Modular

metal doorframes
to suit brick construction

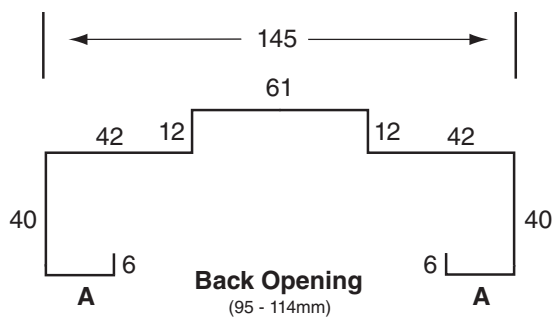


The welded Modular frame has clean square lines to suit today's contemporary home designs offering you a sleek modern doorframe profile.



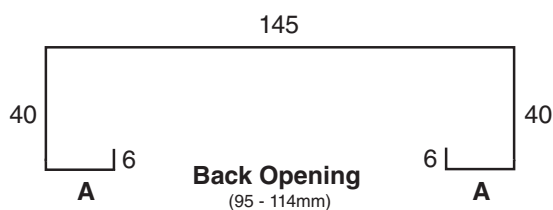
Technical Specifications

The JDS Modular Metal Doorframe is made from a 1.05mm Zincanneal. Available in 95 or 114 B/O in a wide range of standard door heights and widths.



Standard Frame Dimensions

Back Opening	A
95	25
114	15.5



Slider Frame Dimensions

Back Opening	A
95	25
114	15.5

Note: when ordering slider doorframes please order by door size.