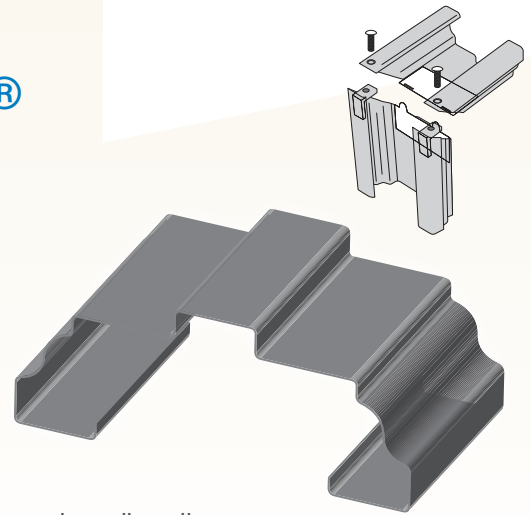


RegalFrame®

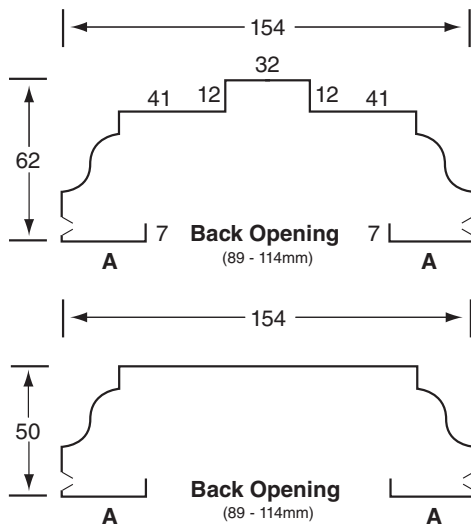
knockdown doorframes
to suit stud construction



The RegalFrame profile is available in the knockdown range and is used for stud frame construction. The patented knockdown design system allows the mitre corners to be adjusted, resulting in an accurate and neat mitre joint. The RegalFrame has a built-in architrave to give a timber look doorframe with the added strength and durability of a metal doorframe.

Technical Specifications

The RegalFrame Knockdown doorframe is made from a 1.0mm Zincanneal. The frames come in 3 pieces consisting of a head, a hinge stile and a striker stile. These are then packed together to make a complete frame. The knockdown frame is available in all standard sizes and can also be made to suit special widths and heights.



Standard Frame Dimensions

| Back Opening | A | Overall Dimension |
|--------------|------|-------------------|
| 89 | 32.5 | 154x62 |
| 95 | 29.5 | 154x62 |
| 102 | 26 | 154x62 |
| 114 | 20 | 154x62 |

Slider Frame Dimensions

| Back Opening | A |
|--------------|------|
| 95 | 29.5 |
| 114 | 20 |

Note: when ordering slider doorframes please order by door size.

Prior to installing the frame ensure stud opening sizes are suitable for knockdown frames.

For stud opening sizes add 40mm to your door HEIGHT and WIDTH (single and double doorframes only)

Example: Door size: 2040 x 820mm Stud opening: 2080 x 860mm

Add a further 40mm to your door width for each mullion when using triple, quad or five door combinations.

Note: A minimum nib on each side of your stud opening is needed to allow for the knockdown frame to be screwed to the stud work

Patented RegalFrame profile and knockdown system

